



**TRANSPORTATION CABINET**

Frankfort, Kentucky 40622  
www.transportation.ky.gov/

**Steven L. Beshear**  
Governor

**Michael W. Hancock, P.E.**  
Secretary

October 19, 2015

CALL NO. 108  
CONTRACT ID NO. 151263  
ADDENDUM # 2

Subject: Simpson County, STPR 1001 (024)  
Letting October 23, 2015

- (1) Revised - Plan Sheets - R2C, R2G, U7 & U16
- (2) Revised - Bid Items - Pages 430-434 of 434

Proposal revisions are available at <http://transportation.ky.gov/Construction-Procurement/>.

Plan revisions are available at <http://www.lynnimaging.com/kytransportation/>.

If you have any questions, please contact us at 502-564-3500.

Sincerely,

A handwritten signature in cursive script that reads "Rachel Mills".

Rachel Mills, P.E.  
Director  
Division of Construction Procurement

RM:ks  
Enclosures



An Equal Opportunity Employer M/F/D

## GENERAL SUMMARY

ITEM	DESCRIPTION	UNIT	PROJECT TOTALS																	
78	CRUSHED AGGREGATE SIZE #2 (2)(3)(4)(9)(11)	TON	21160																	
1984	DELINEATOR FOR BARRIER - WHITE (12)	EACH	8																	
1985	DELINEATOR FOR BARRIER - YELLOW (12)	EACH	8																	
1987	DELINEATOR FOR GUARDRAIL - BI-DIRECTIONAL WHITE	EACH	65																	
1992	INSTALL TEMPORARY CONCRETE MEDIAN BARRIER (12)	LF	150																	
2014	BARRICADE-TYPE III	EACH	6																	
2091	REMOVE PAVEMENT	SOYD	522																	
2159	TEMP DITCH	LF	4750																	
2160	CLEAN TEMP DITCH	LF	2375																	
2223	GRANULAR EMBANKMENT	CUYD	100																	
2230	EMBANKMENT IN PLACE	CUYD	62287																	
2242	WATER	MGAL	100																	
2351	GUARDRAIL-STEEL W BEAM-S FACE	LF	3725																	
2360	GUARDRAIL TERMINAL SECTION NO. 1	EACH	11																	
2371	GUARDRAIL END TREATMENT TYPE 7	EACH	5																	
2391	GUARDRAIL END TREATMENT TYPE 4A	EACH	11																	
2397	TEMPORARY GUARDRAIL	LF	1225																	
2429	RIGHT-OF-WAY MONUMENT TYPE 1	EACH	49																	
2432	WITNESS POST	EACH	19																	
2469	CLEAN SINKHOLE	EACH	3																	
2483	CHANNEL LINING CLASS II (13)	TON	311																	
2545	CLEARING AND GRUBBING (1)	LS	1																	
2555	CONCRETE-CLASS B (10)	CUYD	10																	
2562	TEMPORARY SIGNS	SOFT	1000																	
2568	MOBILIZATION	LS	1																	
2569	DEMOBILIZATION	LS	1																	
2585	EDGE KEY	LF	100																	
2599	FABRIC-GEOTEXTILE TYPE IV (5)(6)(7)(8)	SOYD	62300																	
2625	REMOVE HEADWALL	EACH	4																	
2650	MAINTAIN & CONTROL TRAFFIC	LS	1																	
2651	DIVERSIONS (BY-PASS DETOURS)	LS	1																	
2671	PORTABLE CHANGEABLE MESSAGE SIGN	EACH	2																	
2690	SAFELOADING	CUYD	78.8																	
2696	SHOULDER RUMBLE STRIPS - SAWED	LF	19000																	
2701	TEMP SILT FENCE	LF	2375																	
2703	SILT TRAP TYPE A	EACH	26																	
2704	SILT TRAP TYPE B	EACH	26																	
2705	SILT TRAP TYPE C	EACH	26																	
2706	CLEAN SILT TRAP TYPE A	EACH	26																	
2707	CLEAN SILT TRAP TYPE B	EACH	26																	
2708	CLEAN SILT TRAP TYPE C	EACH	26																	
2726	STAKING	LS	1																	
2731	REMOVE STRUCTURE	LS	1																	
3171	CONCRETE BARRIER WALL TYPE 9T (12)	LF	150																	
5950	EROSION CONTROL BLANKET (14)	SOYD	32387																	
5952	TEMP MULCH	SOYD	122787																	
5963	INITIAL FERTILIZER	TON	6.9																	
5964	20-10-10 FERTILIZER	TON	3.5																	
5985	SEEDING AND PROTECTION	SOYD	61000																	
5992	AGRICULTURAL LIMESTONE	TON	41																	
6510	PAVE STRIPING-TEMP PAINT-4 IN	LF	46472																	
6514	PAVE STRIPING-PERM PAINT-4 IN	LF	46472																	
6568	PAVE MARKING-THERMO STOP BAR -24 IN	LF	36																	
6572	PAVE MARKING-DOTTED LANE EXTENSIONS	LF	48																	
6574	PAVE MARKING-THERMO CURV ARROW	EACH	50																	
6588	PAVEMENT MARKER TYPE IVA-BY TEMP	EACH	70																	
6589	PAVEMENT MARKER TYPE V-MW	EACH	8																	
6591	PAVEMENT MARKER TYPE V-BY	EACH	464																	
6600	REMOVE PAVEMENT MARKER TYPE V	EACH	300																	
8150	STEEL REINFORCEMENT (10)	LB	50																	
10020NS	FUEL ADJUSTMENT	DOLLARS	75828																	
10030NS	ASPHALT ADJUSTMENT	DOLLARS	115192																	
20738NS112	TEMPORARY CRASH CUSHION (12)	EACH	2																	
23139EN	STRIPING REMOVAL	LF	46472																	
23274EN1IF	TURF REINFORCEMENT MAT 1	SOYD	1691																	
24540	RIGHT-OF-WAY MONUMENT TYPE 3	EACH	5																	
2274	FENCE - 6FT CHAIN LINK	LF	1869																	
2259	FENCE-TEMP	LF	1869																	

**NOTES:**

- ① DISTURBED AREA = 25.37 ACRES
- ② 3600 TONS PER GEOTECH NOTE #9
- ③ 14840 TONS PER GEOTECH NOTE #10
- ④ 2600 TONS PER GEOTECH NOTE #12
- ⑤ 12000 SQ. YDS. PER GEOTECH NOTE #9
- ⑥ 46000 SQ. YDS. PER GEOTECH NOTE #10
- ⑦ 4200 SQ. YDS. PER GEOTECH NOTE #12
- ⑧ 100 SQ. YDS. FOR SINKHOLE CLEANING
- ⑨ 100 TONS FOR SINKHOLE CLEANING
- ⑩ FOR SINKHOLE CAP
- ⑪ 19 TONS FOR PERF PIPE HEADWALLS ALSO SHOWN ON PIPE DRAINAGE SUMMARY
- ⑫ TO BE USED WHEN CONSTRUCTING BOX CULVERT
- ⑬ 87 TONS FROM PIPE DRAINAGE SUMMARY
- ⑭ EROSION CONTROL BLANKET USED ON 2:1 SLOPES AS WELL AS DITCHES

**EARTHWORK QUANTITIES**

Com = 42476  
 Emb = 53858  
 Emb Bench = 8429  
 Surf Dt = 1057  
 Rock Rdbed = 5314

**NOTE:**  
 THE EARTHWORK SHOWN ABOVE IS FOR INFORMATION ONLY. ASSUMPTIONS FOR SHRINKAGE AND SWELL FACTORS ARE THE CONTRACTOR'S RESPONSIBILITY. IT IS THE CONTRACTOR'S RESPONSIBILITY TO DISPOSE OF ANY WASTE MATERIAL. REFILLING DIVERSION SLOPES TO PROPOSED FINAL SLOPES IS CONSIDERED INCIDENTAL.

FILE NAME: G:\PWORK\DAVID.ERICKSON\DI23785\RO020CSU.DGN

USER: david.erickson  
DATE PLOTTED: October 16, 2015

E-SHEET NAME:

MicroStation v8.11.7.443

## GENERAL SUMMARY

ITEM	DESCRIPTION	UNIT	PROJECT TOTALS																	
78	CRUSHED AGGREGATE SIZE #2 (2)(3)(4)(9)(11)	TON	21160																	
1984	DELINEATOR FOR BARRIER - WHITE (12)	EACH	8																	
1985	DELINEATOR FOR BARRIER - YELLOW (12)	EACH	8																	
1987	DELINEATOR FOR GUARDRAIL - BI-DIRECTIONAL WHITE	EACH	65																	
1992	INSTALL TEMPORARY CONCRETE MEDIAN BARRIER (12)	LF	150																	
2014	BARRICADE-TYPE III	EACH	6																	
2091	REMOVE PAVEMENT	SOYD	522																	
2159	TEMP DITCH	LF	4750																	
2160	CLEAN TEMP DITCH	LF	2375																	
2223	GRANULAR EMBANKMENT	CUYD	100																	
2230	EMBANKMENT IN PLACE	CUYD	62287																	
2242	WATER	MGAL	100																	
2351	GUARDRAIL-STEEL W BEAM-S FACE	LF	3725																	
2360	GUARDRAIL TERMINAL SECTION NO. 1	EACH	11																	
2371	GUARDRAIL END TREATMENT TYPE 7	EACH	5																	
2391	GUARDRAIL END TREATMENT TYPE 4A	EACH	11																	
2397	TEMPORARY GUARDRAIL	LF	1225																	
2429	RIGHT-OF-WAY MONUMENT TYPE 1	EACH	49																	
2432	WITNESS POST	EACH	19																	
2469	CLEAN SINKHOLE	EACH	3																	
2483	CHANNEL LINING CLASS #1 (13)	TON	311																	
2545	CLEARING AND GRUBBING (14)	LS	1																	
2555	CONCRETE-CLASS B (10)	CUYD	10																	
2562	TEMPORARY SIGNS	SOFT	1000																	
2568	MOBILIZATION	LS	1																	
2569	DEMOBILIZATION	LS	1																	
2585	EDGE KEY	LF	100																	
2599	FABRIC-GEOTEXTILE TYPE IV (5)(6)(7)(8)	SOYD	62300																	
2625	REMOVE HEADWALL	EACH	4																	
2650	MAINTAIN & CONTROL TRAFFIC	LS	1																	
2651	DIVERSIONS (BY-PASS DETOURS)	LS	1																	
2671	PORTABLE CHANGEABLE MESSAGE SIGN	EACH	2																	
2690	SAFELOADING	CUYD	78.8																	
2696	SHOULDER RUMBLE STRIPS - SAWED	LF	19000																	
2701	TEMP SILT FENCE	LF	2375																	
2703	SILT TRAP TYPE A	EACH	26																	
2704	SILT TRAP TYPE B	EACH	26																	
2705	SILT TRAP TYPE C	EACH	26																	
2706	CLEAN SILT TRAP TYPE A	EACH	26																	
2707	CLEAN SILT TRAP TYPE B	EACH	26																	
2708	CLEAN SILT TRAP TYPE C	EACH	26																	
2726	STAKING	LS	1																	
2731	REMOVE STRUCTURE	LS	1																	
3171	CONCRETE BARRIER WALL TYPE BT (12)	LF	150																	
5950	EROSION CONTROL BLANKET (14)	SOYD	32387																	
5952	TEMP MULCH	SOYD	122787																	
5963	INITIAL FERTILIZER	TON	6.9																	
5964	20-10-10 FERTILIZER	TON	3.5																	
5985	SEEDING AND PROTECTION	SOYD	61000																	
5992	AGRICULTURAL LIMESTONE	TON	41																	
6510	PAVE STRIPING-TEMP PAINT-4 IN	LF	46472																	
6514	PAVE STRIPING-PERM PAINT-4 IN	LF	46472																	
6568	PAVE MARKING-THERMO STOP BAR -24 IN	LF	36																	
6572	PAVE MARKING-DOTTED LANE EXTENSIONS	LF	48																	
6574	PAVE MARKING-THERMO CURV ARROW	EACH	50																	
6588	PAVEMENT MARKER TYPE IVA-BY TEMP	EACH	70																	
6589	PAVEMENT MARKER TYPE V-MW	EACH	8																	
6591	PAVEMENT MARKER TYPE V-BY	EACH	464																	
6600	REMOVE PAVEMENT MARKER TYPE V	EACH	300																	
8150	STEEL REINFORCEMENT (10)	LB	50																	
10020NS	FUEL ADJUSTMENT	DOLLARS	75828																	
10030NS	ASPHALT ADJUSTMENT	DOLLARS	115192																	
20738NS112	TEMPORARY CRASH CUSHION (12)	EACH	2																	
23139EN	STRIPING REMOVAL	LF	46472																	
23274ENIF	TURF REINFORCEMENT MAT 1	SOYD	1691																	
24540	RIGHT-OF-WAY MONUMENT TYPE 3	EACH	5																	
2274	FENCE - 6FT CHAIN LINK	LF	1869																	
2259	FENCE-TEMP	LF	1869																	

**NOTES:**

- ① DISTURBED AREA = 25.37 ACRES
- ② 3600 TONS PER GEOTECH NOTE #9
- ③ 14840 TONS PER GEOTECH NOTE #10
- ④ 2600 TONS PER GEOTECH NOTE #12
- ⑤ 12000 SQ. YDS. PER GEOTECH NOTE #9
- ⑥ 46000 SQ. YDS. PER GEOTECH NOTE #10
- ⑦ 4200 SQ. YDS. PER GEOTECH NOTE #12
- ⑧ 100 SQ. YDS. FOR SINKHOLE CLEANING
- ⑨ 100 TONS FOR SINKHOLE CLEANING
- ⑩ FOR SINKHOLE CAP
- ⑪ 19 TONS FOR PERF PIPE HEADWALLS ALSO SHOWN ON PIPE DRAINAGE SUMMARY
- ⑫ TO BE USED WHEN CONSTRUCTING BOX CULVERT
- ⑬ 87 TONS FROM PIPE DRAINAGE SUMMARY
- ⑭ EROSION CONTROL BLANKET USED ON 2:1 SLOPES AS WELL AS DITCHES

EARTHWORK QUANTITIES	
Com	= 42476
Emb	= 53858
Emb Bench	= 8429
Surf Dt	= 1057
Rock Rdbed	= 5314

**NOTE:**  
 THE EARTHWORK SHOWN ABOVE IS FOR INFORMATION ONLY. ASSUMPTIONS FOR SHRINKAGE AND SWELL FACTORS ARE THE CONTRACTOR'S RESPONSIBILITY. IT IS THE CONTRACTOR'S RESPONSIBILITY TO DISPOSE OF ANY WASTE MATERIAL. REFILLING DIVERSION SLOPES TO PROPOSED FINAL SLOPES IS CONSIDERED INCIDENTAL.

Item 24784EC REMOVED

FILE NAME: G:\P\WORK\DAVID.ERICKSON\DI23785\PROJ020CSU.DGN  
 USER: david.erickson  
 DATE PLOTTED: October 16, 2015  
 E-SHEET NAME:  
 MicroStation v8.11.7.443

# GENERAL NOTES

160 N.G.S. (U.S.G.S.) BENCH MARKS

DO NOT DISTURB N.G.S. (U.S.G.S.) BENCH MARKS IN ANY MANNER UNLESS DIRECTED BY THE ENGINEER.

165 BEFORE YOU DIG

The contractor is instructed to call 1-800-752-6007 to reach KY 811, the one-call system for information on the location of existing underground utilities. The call is to be placed a minimum of two (2) and no more than ten (10) business days prior to excavation. The contractor should be aware that owners of underground facilities are not required to be members of the KY 811 one-call Before-U-Dig (BUD) service. The contractor must coordinate excavation with the utility owners, including those whom do not subscribe to KY 811. It may be necessary for the contractor to contact the County Court Clerk to determine what utility companies have facilities in the area.

190 DEPARTMENT OF THE ARMY PERMIT AND WATER QUALITY CERTIFICATION APPROVALS

A DEPARTMENT OF THE ARMY (DA) PERMIT, WHICH MAY REQUIRE APPROVAL OF A STATE WATER QUALITY CERTIFICATION FROM THE KENTUCKY DIVISION OF WATER, REGULATES THIS PROJECT AT ONE OR MORE LOCATIONS. PERFORM ALL APPLICABLE WORK IN COMPLIANCE WITH THE CONDITIONS STATED IN THE DA PERMIT AND THE APPROVED WATER QUALITY CERTIFICATION. POST A COPY OF THE DA PERMIT AND THE WATER QUALITY CERTIFICATION IN A CONSPICUOUS PLACE AT THE PROJECT SITE. IF A DA PERMIT OR WATER QUALITY CERTIFICATION APPROVAL IS PENDING, DO NOT WORK IN OR DISTURB THE DESIGNATED AREA(S) UNTIL OBTAINING THE APPROPRIATE APPROVAL(S). REFER TO NOTICE(S) CONTAINED IN THE CONTRACT BID PROPOSAL FOR DESIGNATED AREA(S) WHERE WORK IS PROHIBITED BY THE ABSENCE OF APPROVAL.

248 ROADBED NOTE, EMBANKMENT-IN-PLACE

USE EMBANKMENT-IN-PLACE WITH A MINIMUM C.B.R. VALUE OF 3.0 OR GREATER IN THE TOP 12 INCHES (300 MM) OF ROADBED IN CUT AND FILL SECTIONS.

\*\* CONTRARY TO KYTC STANDARD DRAWING RBR-020-05, THE GUARDRAIL END TREATMENT ET PLUS MANUFACTURED BY TRINITY INDUSTRIES WILL NOT BE PERMITTED AS AN OPTION FOR BID ITEM "GUARDRAIL END TREATMENT TYPE 1"

447 COMPACTION OF ASPHALT MIXTURES

WILL ACCEPT THE COMPACTION OF ASPHALT MIXTURES FURNISHED FOR DRIVING LANES AND RAMPS AT ONE INCH (25 MM) OR GREATER ON THIS PROJECT BY OPTION A ACCORDING TO SUBSECTIONS 402 AND 403 OF THE CURRENT STANDARD SPECIFICATIONS. USE JOINT CORES AS DESCRIBED IN SUBSECTION 402.03.02 FOR SURFACE MIXTURES ONLY. WILL ACCEPT THE COMPACTION OF ALL OTHER ASPHALT MIXTURES BY OPTION B.

455 EDGE KEY

THIS WORK INCLUDES CUTTING OUT THE EXISTING ASPHALT SURFACE TO A MINIMUM DEPTH AND WIDTH AS DETAILED ELSEWHERE IN THE PLANS SO THAT THE NEW SURFACE MAY HEEL INTO THE EXISTING SURFACE. THE CONTRACT UNIT PRICE BID LINEAR FOOT (PER METER) FOR "EDGE KEY" INCLUDES ALL NECESSARY MATERIALS, LABOR AND EQUIPMENT NECESSARY TO PERFORM THE WORK AND DISPOSE OF THE REMOVED ASPHALT MATERIAL.

650 STANDARD DRAWINGS

STANDARD DRAWINGS ARE NOT ATTACHED TO THESE PLANS. A STANDARD DRAWING BOOK AND THE HEADWALL SUPPLEMENTAL BOOK MAY BE OBTAINED FROM THE POLICY SUPPORT BRANCH OF THE DEPARTMENT OF ADMINISTRATIVE SERVICES IN FRANKFORT, KY. AT (502) 564-3670

R/W MONUMENTS

ALL R/W MONUMENTS ARE TYPE 1 UNLESS OTHERWISE SPECIFIED ON PLANS

SPECIAL NOTE: 9Y FOR MATERIAL TRANSFER VEHICLE

SPECIAL NOTE: 11 PORTABLE CHANGEABLE MESSAGE SIGNS

SPECIAL NOTE: 11E BORING AND JACKING STEEL PIPE WITHOUT CARRIER PIPE

SPECIAL NOTE: 11F TURF REINFORCING MAT TYPE 1



# GENERAL NOTES

160 N.G.S. (U.S.G.S.) BENCH MARKS

DO NOT DISTURB N.G.S. (U.S.G.S.) BENCH MARKS IN ANY MANNER UNLESS DIRECTED BY THE ENGINEER.

165 BEFORE YOU DIG

The contractor is instructed to call 1-800-752-6007 to reach KY 811, the one-call system for information on the location of existing underground utilities. The call is to be placed a minimum of two (2) and no more than ten (10) business days prior to excavation. The contractor should be aware that owners of underground facilities are not required to be members of the KY 811 one-call Before-U-Dig (BUD) service. The contractor must coordinate excavation with the utility owners, including those whom do not subscribe to KY 811. It may be necessary for the contractor to contact the County Court Clerk to determine what utility companies have facilities in the area.

190 DEPARTMENT OF THE ARMY PERMIT AND WATER QUALITY CERTIFICATION APPROVALS

A DEPARTMENT OF THE ARMY (DA) PERMIT, WHICH MAY REQUIRE APPROVAL OF A STATE WATER QUALITY CERTIFICATION FROM THE KENTUCKY DIVISION OF WATER, REGULATES THIS PROJECT AT ONE OR MORE LOCATIONS. PERFORM ALL APPLICABLE WORK IN COMPLIANCE WITH THE CONDITIONS STATED IN THE DA PERMIT AND THE APPROVED WATER QUALITY CERTIFICATION. POST A COPY OF THE DA PERMIT AND THE WATER QUALITY CERTIFICATION IN A CONSPICUOUS PLACE AT THE PROJECT SITE. IF A DA PERMIT OR WATER QUALITY CERTIFICATION APPROVAL IS PENDING, DO NOT WORK IN OR DISTURB THE DESIGNATED AREA(S) UNTIL OBTAINING THE APPROPRIATE APPROVAL(S). REFER TO NOTICE(S) CONTAINED IN THE CONTRACT BID PROPOSAL FOR DESIGNATED AREA(S) WHERE WORK IS PROHIBITED BY THE ABSENCE OF APPROVAL.

248 ROADBED NOTE, EMBANKMENT-IN-PLACE

USE EMBANKMENT-IN-PLACE WITH A MINIMUM C.B.R. VALUE OF 3.0 OR GREATER IN THE TOP 12 INCHES (300 MM) OF ROADBED IN CUT AND FILL SECTIONS.

\*\* CONTRARY TO KYTC STANDARD DRAWING RBR-020-05, THE GUARDRAIL END TREATMENT ET PLUS MANUFACTURED BY TRINITY INDUSTRIES WILL NOT BE PERMITTED AS AN OPTION FOR BID ITEM "GUARDRAIL END TREATMENT TYPE 1"

447 COMPACTION OF ASPHALT MIXTURES

WILL ACCEPT THE COMPACTION OF ASPHALT MIXTURES FURNISHED FOR DRIVING LANES AND RAMPS AT ONE INCH (25 MM) OR GREATER ON THIS PROJECT BY OPTION A ACCORDING TO SUBSECTIONS 402 AND 403 OF THE CURRENT STANDARD SPECIFICATIONS. USE JOINT CORES AS DESCRIBED IN SUBSECTION 402.03.02 FOR SURFACE MIXTURES ONLY. WILL ACCEPT THE COMPACTION OF ALL OTHER ASPHALT MIXTURES BY OPTION B.

455 EDGE KEY

THIS WORK INCLUDES CUTTING OUT THE EXISTING ASPHALT SURFACE TO A MINIMUM DEPTH AND WIDTH AS DETAILED ELSEWHERE IN THE PLANS SO THAT THE NEW SURFACE MAY HEEL INTO THE EXISTING SURFACE. THE CONTRACT UNIT PRICE BID LINEAR FOOT (PER METER) FOR "EDGE KEY" INCLUDES ALL NECESSARY MATERIALS, LABOR AND EQUIPMENT NECESSARY TO PERFORM THE WORK AND DISPOSE OF THE REMOVED ASPHALT MATERIAL.

650 STANDARD DRAWINGS

STANDARD DRAWINGS ARE NOT ATTACHED TO THESE PLANS. A STANDARD DRAWING BOOK AND THE HEADWALL SUPPLEMENTAL BOOK MAY BE OBTAINED FROM THE POLICY SUPPORT BRANCH OF THE DEPARTMENT OF ADMINISTRATIVE SERVICES IN FRANKFORT, KY. AT (502) 564-3670

R/W MONUMENTS

ALL R/W MONUMENTS ARE TYPE 1 UNLESS OTHERWISE SPECIFIED ON PLANS

SPECIAL NOTE: 9Y FOR MATERIAL TRANSFER VEHICLE

SPECIAL NOTE: 11 PORTABLE CHANGEABLE MESSAGE SIGNS

SPECIAL NOTE: 11E BORING AND JACKING STEEL PIPE WITHOUT CARRIER PIPE

SPECIAL NOTE: 11F TURF REINFORCING MAT TYPE 1

SPECIAL NOTE: 11I GEOGRID REINFORCEMENT FOR ASPHALT PAVEMENTS REMOVED



REVISED 10-19-15

ENTRANCE CONSTRUCTION

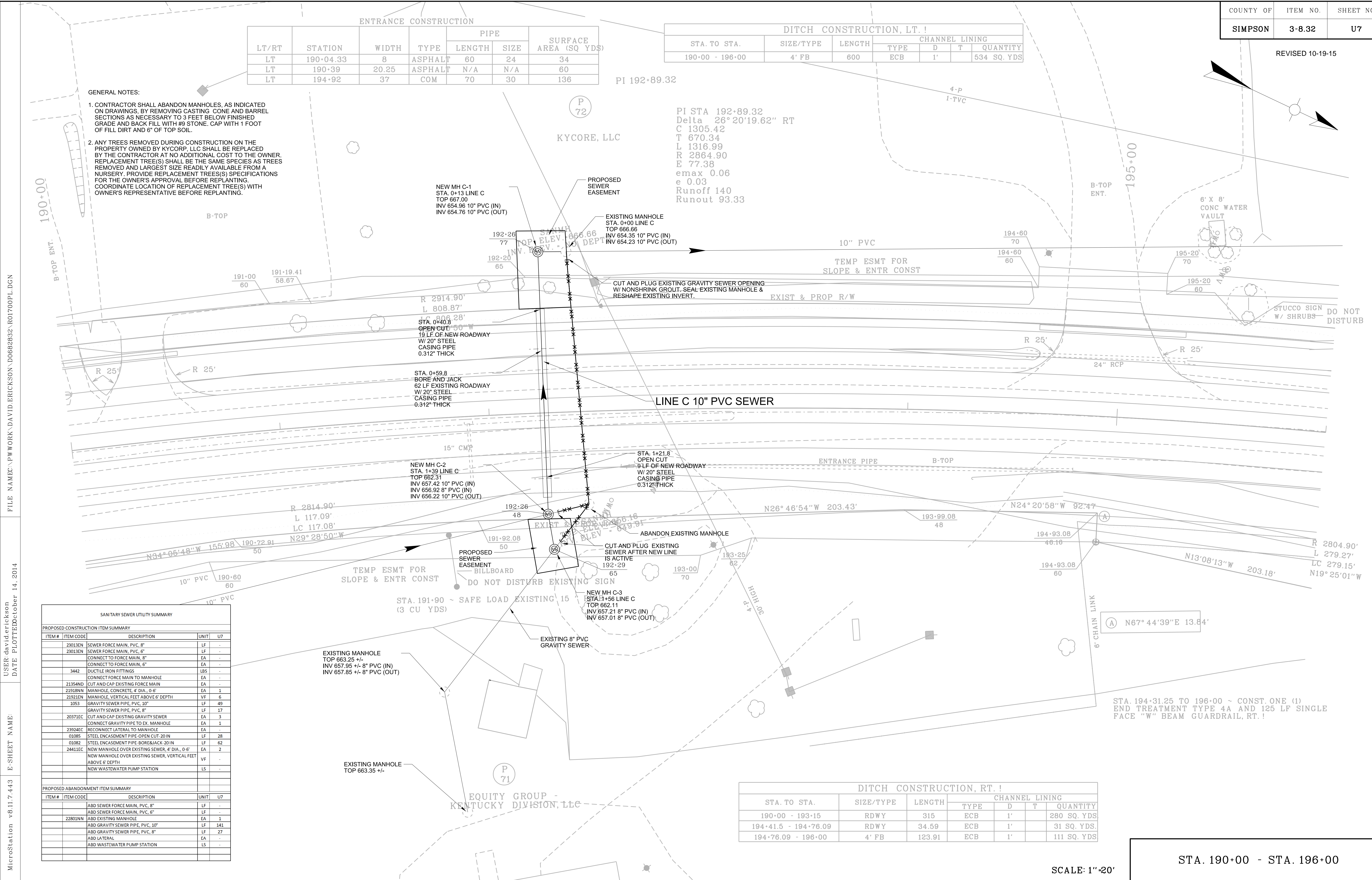
LT/RT	STATION	WIDTH	TYPE	PIPE		SURFACE AREA (SQ YDS)
				LENGTH	SIZE	
LT	190+04.33	8	ASPHALT	60	24	34
LT	190+39	20.25	ASPHALT	N/A	N/A	60
LT	194+92	37	COM	70	30	136

DITCH CONSTRUCTION, LT. !

STA. TO STA.	SIZE/TYPE	LENGTH	CHANNEL LINING			
			TYPE	D	T	QUANTITY
190+00 - 196+00	4' FB	600	ECB	1'		534 SQ. YDS

- GENERAL NOTES:
- CONTRACTOR SHALL ABANDON MANHOLES, AS INDICATED ON DRAWINGS, BY REMOVING CASTING CONE AND BARREL SECTIONS AS NECESSARY TO 3 FEET BELOW FINISHED GRADE AND BACK FILL WITH #9 STONE. CAP WITH 1 FOOT OF FILL DIRT AND 6" OF TOP SOIL.
  - ANY TREES REMOVED DURING CONSTRUCTION ON THE PROPERTY OWNED BY KYCORP, LLC SHALL BE REPLACED BY THE CONTRACTOR AT NO ADDITIONAL COST TO THE OWNER. REPLACEMENT TREE(S) SHALL BE THE SAME SPECIES AS TREES REMOVED AND LARGEST SIZE READILY AVAILABLE FROM A NURSERY. PROVIDE REPLACEMENT TREE(S) SPECIFICATIONS FOR THE OWNER'S APPROVAL BEFORE REPLANTING. COORDINATE LOCATION OF REPLACEMENT TREE(S) WITH OWNER'S REPRESENTATIVE BEFORE REPLANTING.

PI STA 192+89.32  
 Delta 26° 20' 19.62" RT  
 C 1305.42  
 L 670.34  
 R 1316.99  
 E 2864.90  
 T 77.38  
 emax 0.06  
 e 0.03  
 Runoff 140  
 Runout 93.33



SANITARY SEWER UTILITY SUMMARY

PROPOSED CONSTRUCTION ITEM SUMMARY					
ITEM #	ITEM CODE	DESCRIPTION	UNIT	U7	
23013EN		SEWER FORCE MAIN, PVC, 8"	LF	-	
23013EN		SEWER FORCE MAIN, PVC, 6"	LF	-	
		CONNECT TO FORCE MAIN, 8"	EA	-	
		CONNECT TO FORCE MAIN, 6"	EA	-	
3442		DUCTILE IRON FITTINGS	LBS	-	
		CONNECT FORCE MAIN TO MANHOLE	EA	-	
21354ND		CUT AND CAP EXISTING FORCE MAIN	EA	-	
21918NN		MANHOLE, CONCRETE, 4' DIA., 0-6'	EA	1	
21921EN		MANHOLE, VERTICAL FEET ABOVE 6' DEPTH	VF	6	
1053		GRAVITY SEWER PIPE, PVC, 10"	LF	49	
		GRAVITY SEWER PIPE, PVC, 8"	LF	17	
20371EC		CUT AND CAP EXISTING GRAVITY SEWER	EA	3	
		CONNECT GRAVITY PIPE TO EX. MANHOLE	EA	1	
23924EC		RECONNECT LATERAL TO MANHOLE	EA	-	
01085		STEEL ENCASMENT PIPE-OPEN CUT-20 IN	LF	28	
01082		STEEL ENCASMENT PIPE-BORER/JACK 20 IN	LF	62	
24411EC		NEW MANHOLE OVER EXISTING SEWER, 4' DIA., 0-6'	EA	2	
		NEW MANHOLE OVER EXISTING SEWER, VERTICAL FEET ABOVE 6' DEPTH	VF	-	
		NEW WASTEWATER PUMP STATION	LS	-	
PROPOSED ABANDONMENT ITEM SUMMARY					
ITEM #	ITEM CODE	DESCRIPTION	UNIT	U7	
		ABD SEWER FORCE MAIN, PVC, 8"	LF	-	
		ABD SEWER FORCE MAIN, PVC, 6"	LF	-	
22803NN		ABD EXISTING MANHOLE	EA	1	
		ABD GRAVITY SEWER PIPE, PVC, 10"	LF	141	
		ABD GRAVITY SEWER PIPE, PVC, 8"	LF	27	
		ABD LATERAL	EA	-	
		ABD WASTEWATER PUMP STATION	LS	-	

DITCH CONSTRUCTION, RT. !

STA. TO STA.	SIZE/TYPE	LENGTH	CHANNEL LINING			
			TYPE	D	T	QUANTITY
190+00 - 193+15	RDWY	315	ECB	1'		280 SQ. YDS
194+41.5 - 194+76.09	RDWY	34.59	ECB	1'		31 SQ. YDS.
194+76.09 - 196+00	4' FB	123.91	ECB	1'		111 SQ. YDS

STA. 190+00 - STA. 196+00

SCALE: 1"=20'

FILE NAME: C:\PWORK\DAVID.ERICKSON\0662832\_R01700PL.DGN  
 USER: david.erickson  
 DATE: PLOTTE October 14, 2014  
 E-SHEET NAME: MicroStation v8.11.7.443



REVISED 10-19-15

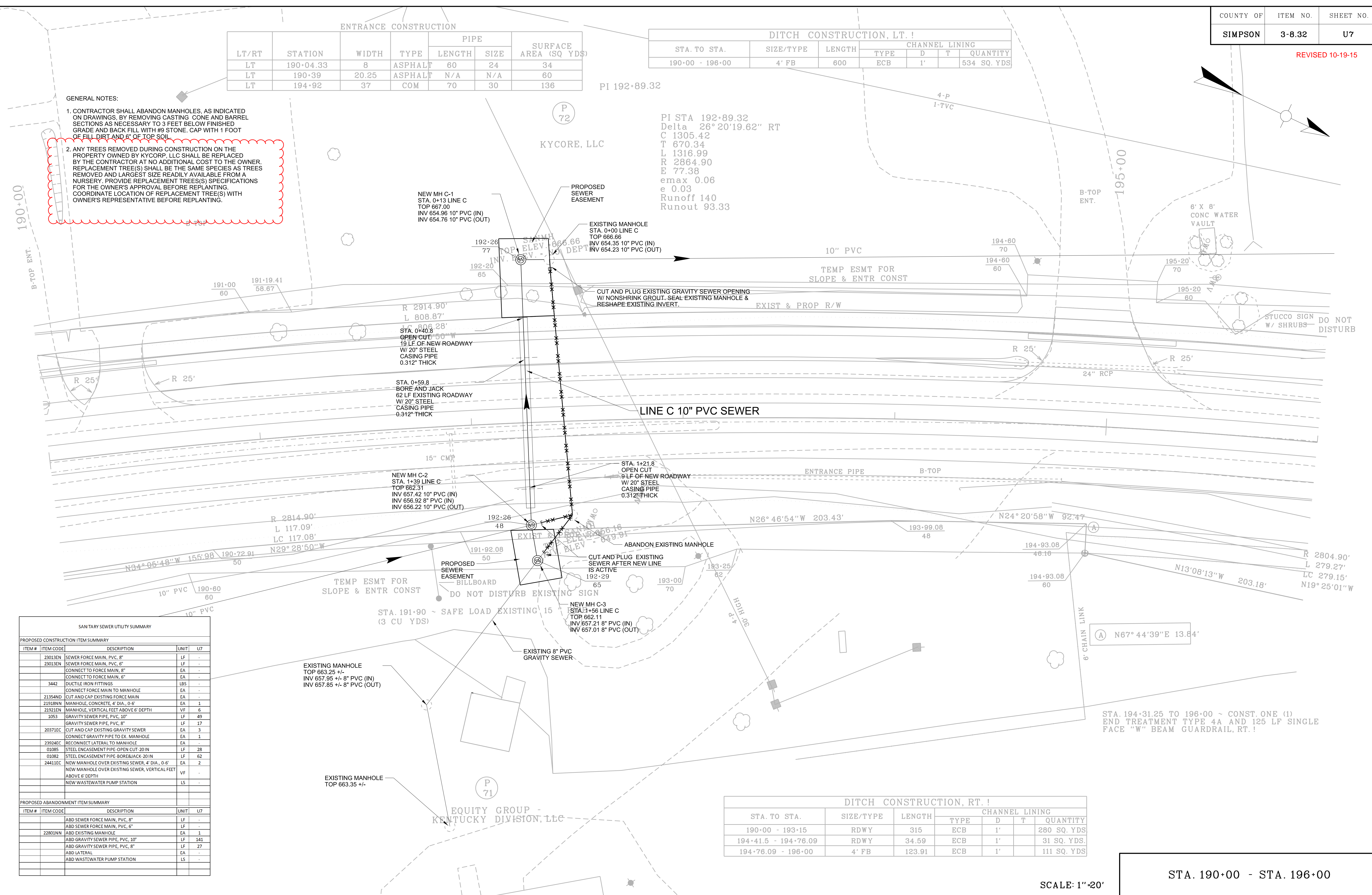
LT/RT	STATION	WIDTH	TYPE	PIPE		SURFACE AREA (SQ YDS)
				LENGTH	SIZE	
LT	190+04.33	8	ASPHALT	60	24	34
LT	190+39	20.25	ASPHALT	N/A	N/A	60
LT	194+92	37	COM	70	30	136

STA. TO STA.	SIZE/TYPER	LENGTH	CHANNEL LINING			
			TYPE	D	T	QUANTITY
190+00 - 196+00	4' FB	600	ECB	1'		534 SQ. YDS

**GENERAL NOTES:**

- CONTRACTOR SHALL ABANDON MANHOLES, AS INDICATED ON DRAWINGS, BY REMOVING CASTING CONE AND BARREL SECTIONS AS NECESSARY TO 3 FEET BELOW FINISHED GRADE AND BACK FILL WITH #9 STONE. CAP WITH 1 FOOT OF FILL DIRT AND 6" OF TOP SOIL.
- ANY TREES REMOVED DURING CONSTRUCTION ON THE PROPERTY OWNED BY KYCORP, LLC SHALL BE REPLACED BY THE CONTRACTOR AT NO ADDITIONAL COST TO THE OWNER. REPLACEMENT TREE(S) SHALL BE THE SAME SPECIES AS TREES REMOVED AND LARGEST SIZE READILY AVAILABLE FROM A NURSERY. PROVIDE REPLACEMENT TREE(S) SPECIFICATIONS FOR THE OWNER'S APPROVAL BEFORE REPLANTING. COORDINATE LOCATION OF REPLACEMENT TREE(S) WITH OWNER'S REPRESENTATIVE BEFORE REPLANTING.

FILE NAME: C:\PWORK\DAVID.ERICKSON\0662832\01700PL.DGN  
 USER: david.erickson  
 DATE: PLOTTE October 14, 2014  
 E-SHEET NAME: MicroStation v8.11.7.443



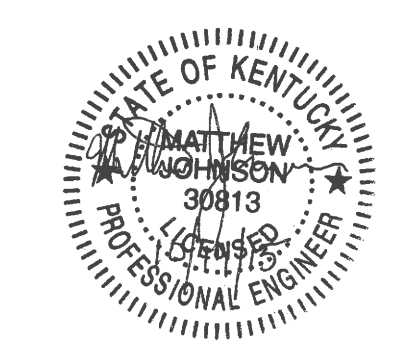
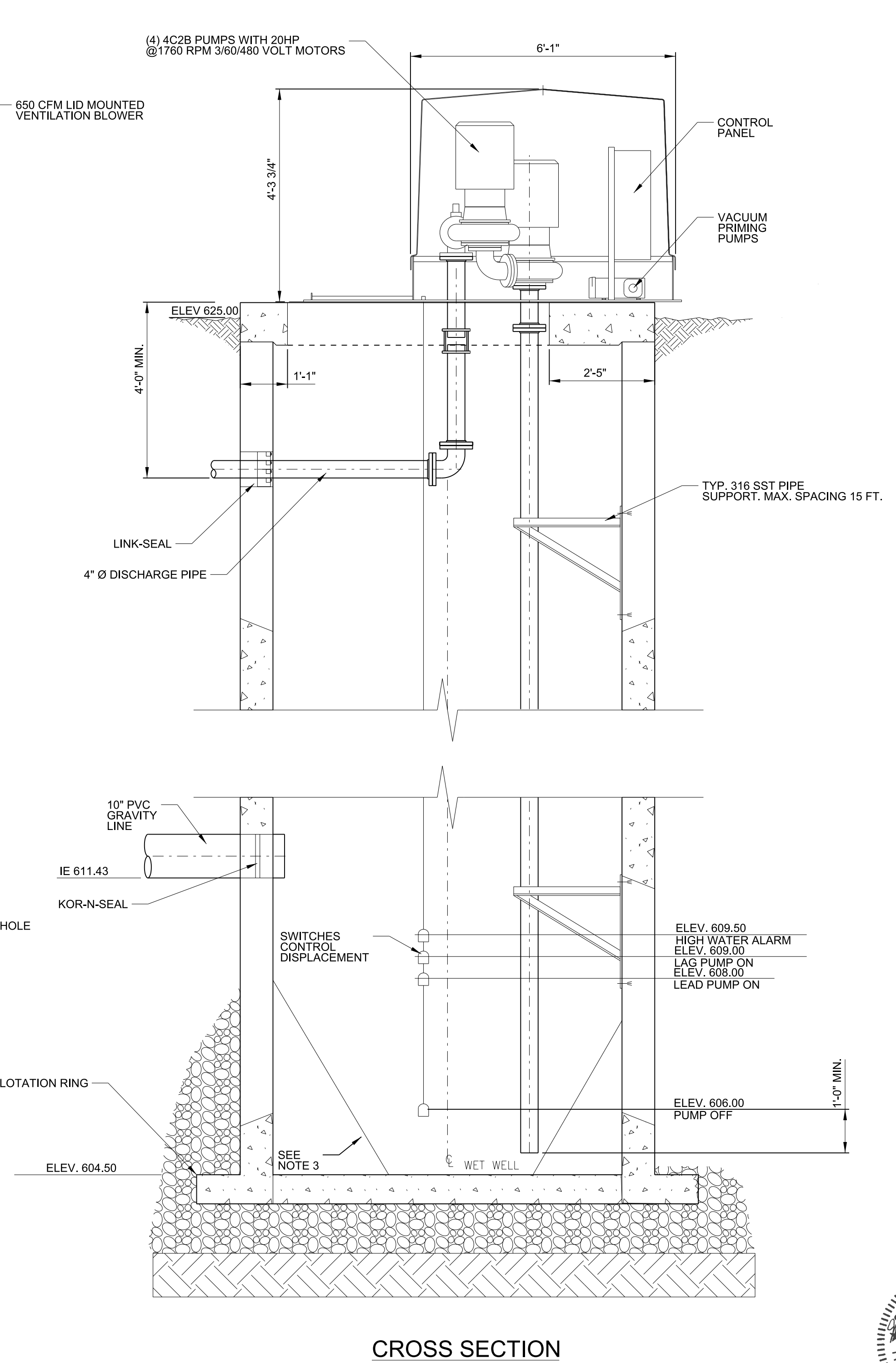
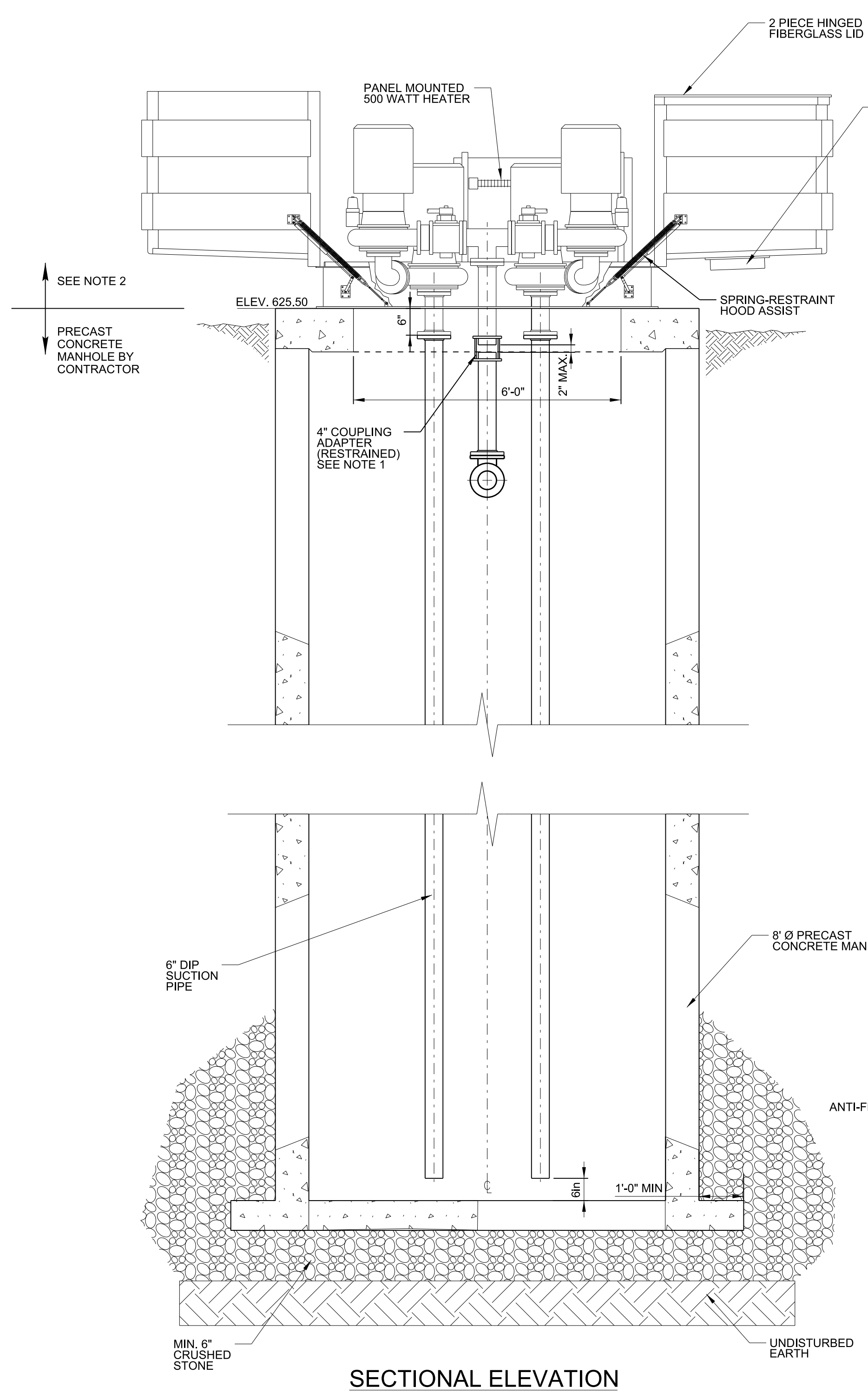
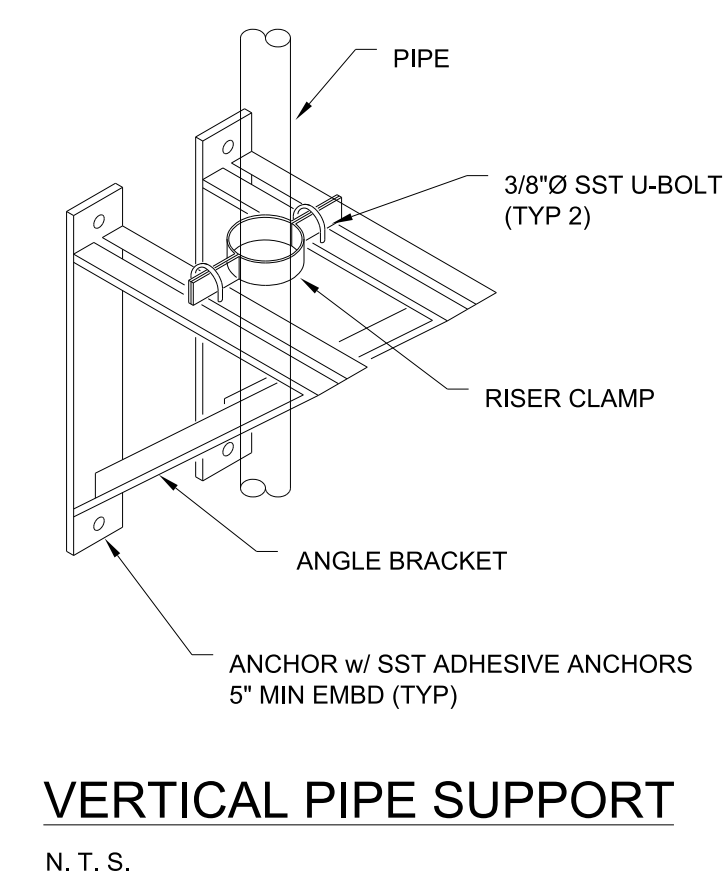
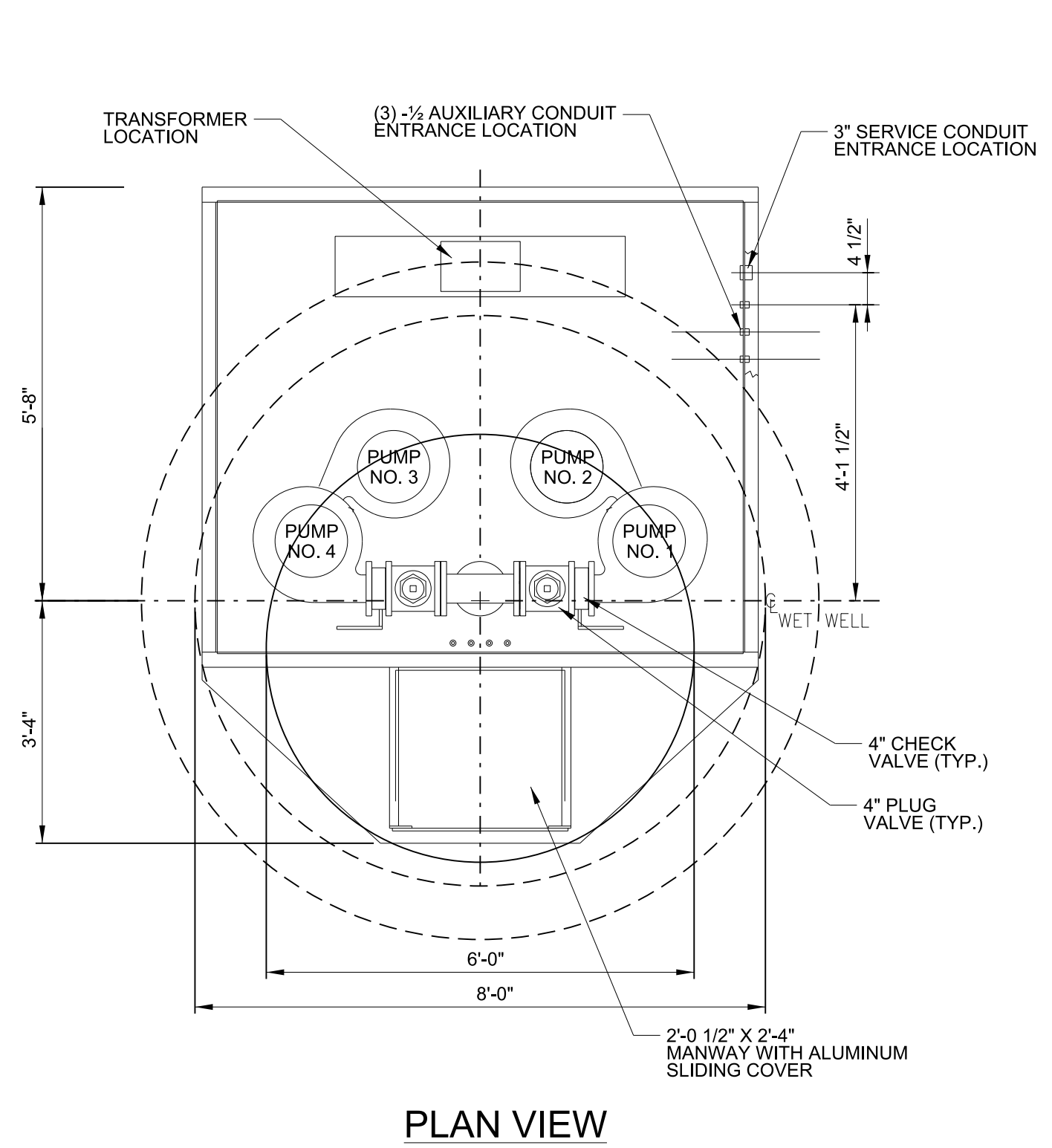
SANITARY SEWER UTILITY SUMMARY					
PROPOSED CONSTRUCTION ITEM SUMMARY					
ITEM #	ITEM CODE	DESCRIPTION	UNIT	U7	
23013EN		SEWER FORCE MAIN, PVC, 8"	LF	-	
23013EN		SEWER FORCE MAIN, PVC, 6"	LF	-	
		CONNECT TO FORCE MAIN, 8"	EA	-	
		CONNECT TO FORCE MAIN, 6"	EA	-	
3442		DUCTILE IRON FITTINGS	LBS	-	
		CONNECT FORCE MAIN TO MANHOLE	EA	-	
21354ND		CUT AND CAP EXISTING FORCE MAIN	EA	-	
21918NN		MANHOLE, CONCRETE, 4' DIA., 0-6'	EA	1	
21921EN		MANHOLE, VERTICAL FEET ABOVE 6' DEPTH	VF	6	
1053		GRAVITY SEWER PIPE, PVC, 10"	LF	49	
		GRAVITY SEWER PIPE, PVC, 8"	LF	17	
20371EC		CUT AND CAP EXISTING GRAVITY SEWER	EA	3	
		CONNECT GRAVITY PIPE TO EX. MANHOLE	EA	1	
23924EC		RECONNECT LATERAL TO MANHOLE	EA	-	
01085		STEEL ENCASMENT PIPE-OPEN CUT-20 IN	LF	28	
01082		STEEL ENCASMENT PIPE-BORER/JACK 30 IN	LF	62	
24411EC		NEW MANHOLE OVER EXISTING SEWER, 4' DIA., 0-6'	EA	2	
		NEW MANHOLE OVER EXISTING SEWER, VERTICAL FEET ABOVE 6' DEPTH	VF	-	
		NEW WASTEWATER PUMP STATION	LS	-	
PROPOSED ABANDONMENT ITEM SUMMARY					
ITEM #	ITEM CODE	DESCRIPTION	UNIT	U7	
		ABD SEWER FORCE MAIN, PVC, 8"	LF	-	
		ABD SEWER FORCE MAIN, PVC, 6"	LF	-	
22803NN		ABD EXISTING MANHOLE	EA	1	
		ABD GRAVITY SEWER PIPE, PVC, 10"	LF	141	
		ABD GRAVITY SEWER PIPE, PVC, 8"	LF	27	
		ABD LATERAL	EA	-	
		ABD WASTEWATER PUMP STATION	LS	-	

STA. TO STA.	SIZE/TYPER	LENGTH	CHANNEL LINING			
			TYPE	D	T	QUANTITY
190+00 - 193+15	RDWY	315	ECB	1'		280 SQ. YDS
194+41.5 - 194+76.09	RDWY	34.59	ECB	1'		31 SQ. YDS.
194+76.09 - 196+00	4' FB	123.91	ECB	1'		111 SQ. YDS

STA. 190+00 - STA. 196+00

SCALE: 1"=20'

- NOTES:
- RESTRAINED COUPLING SHALL BE DRESSER STYLE 138 OR ENGINEER APPROVED EQUAL.
  - PUMPS, MOTORS, SUCTION PIPE AND ANCILLARY PUMP APPURTENCES SHALL BE PROVIDED AS A SKID PACKAGE AS MANUFACTURED BY SMITH AND LOVELESS.
  - PROVIDE 60° SLOPE IN WET WELL.



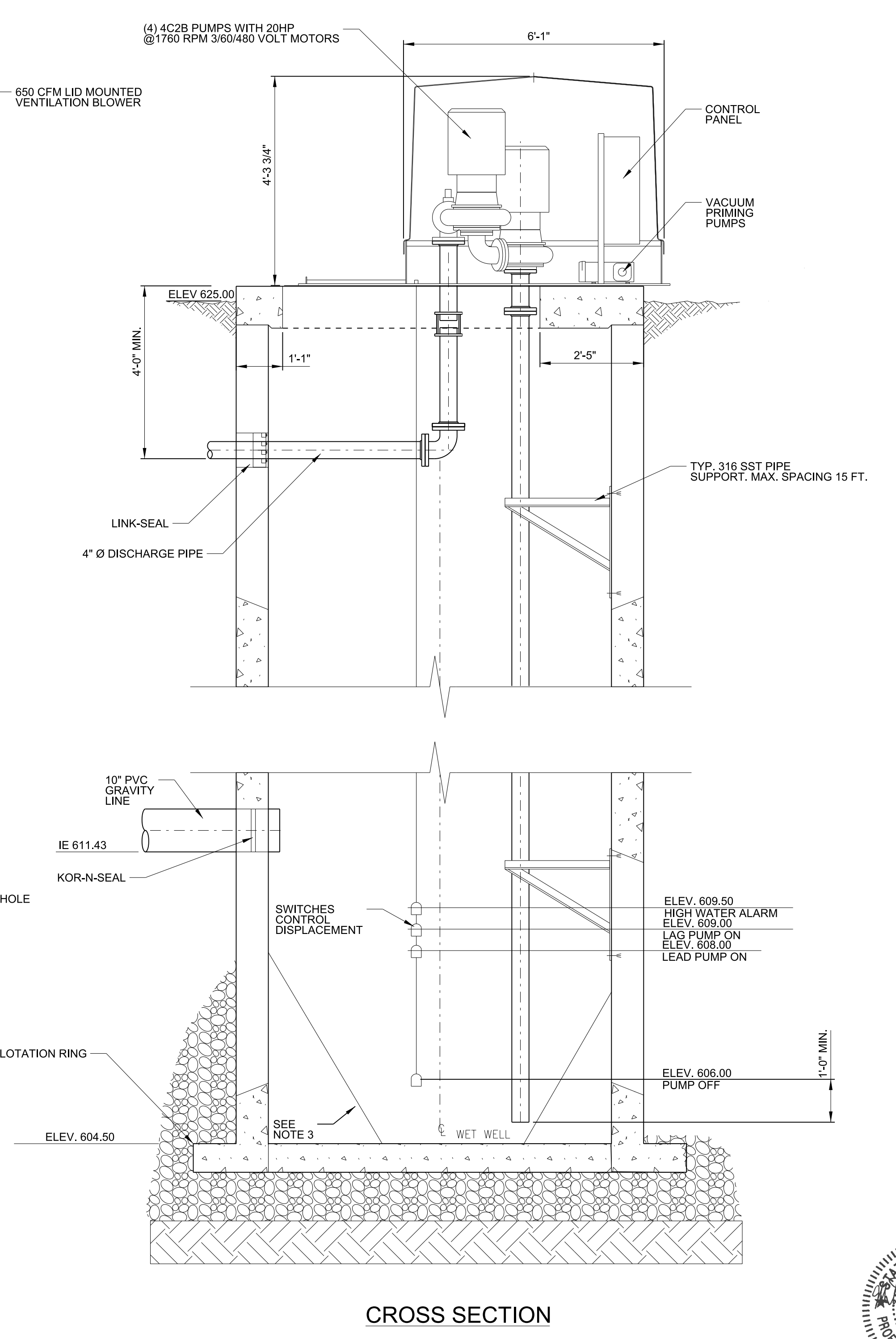
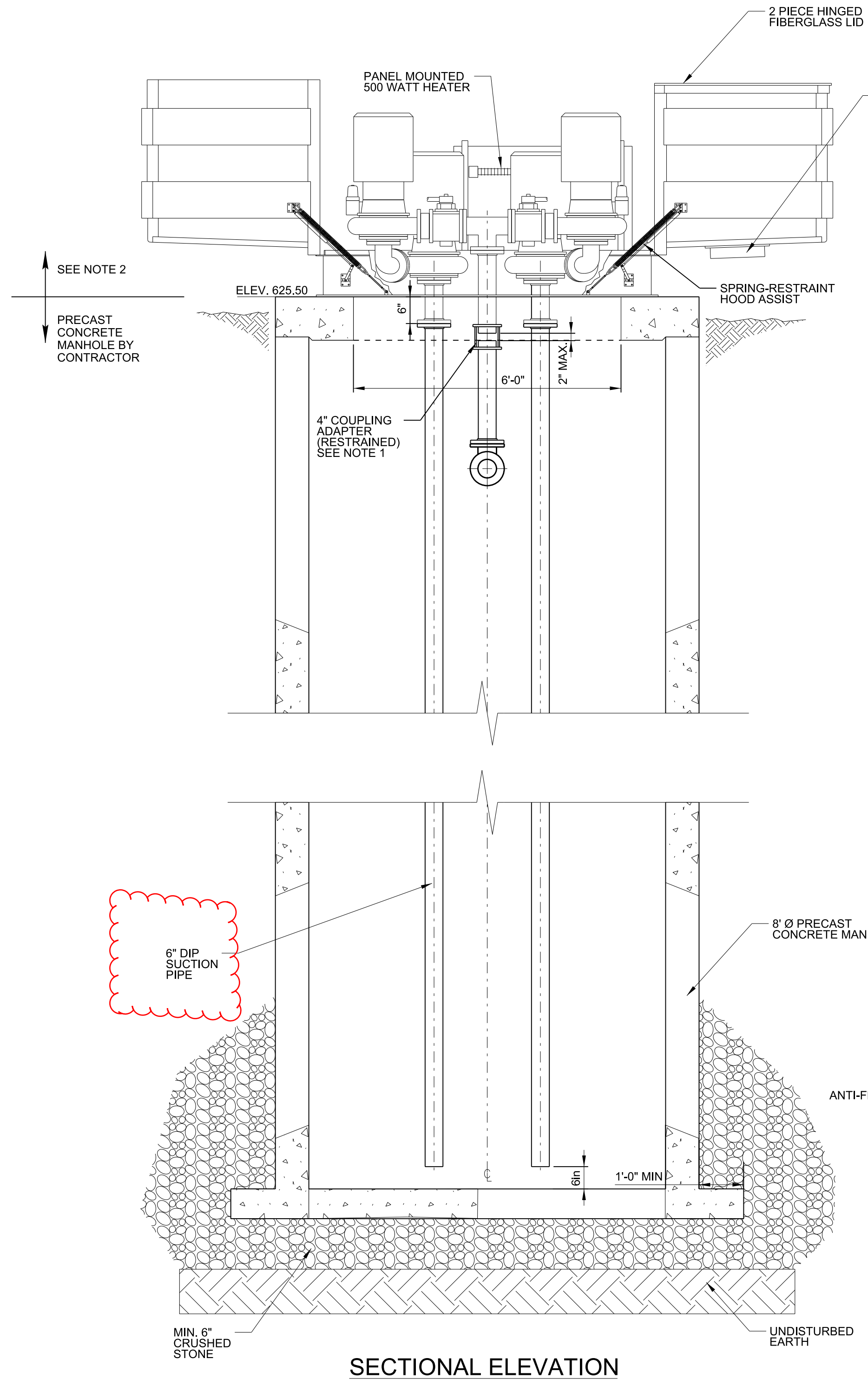
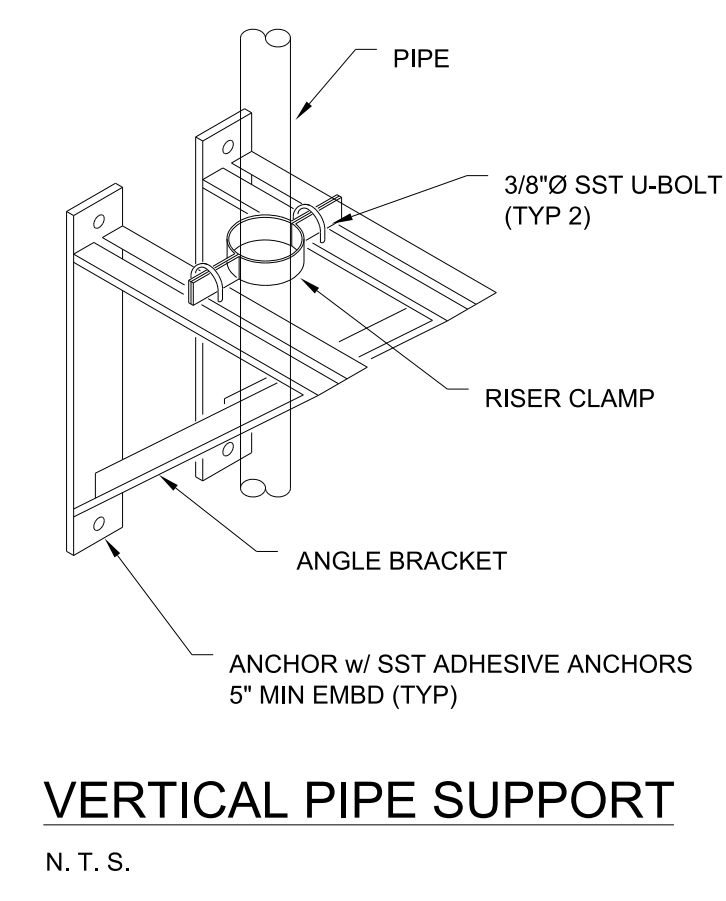
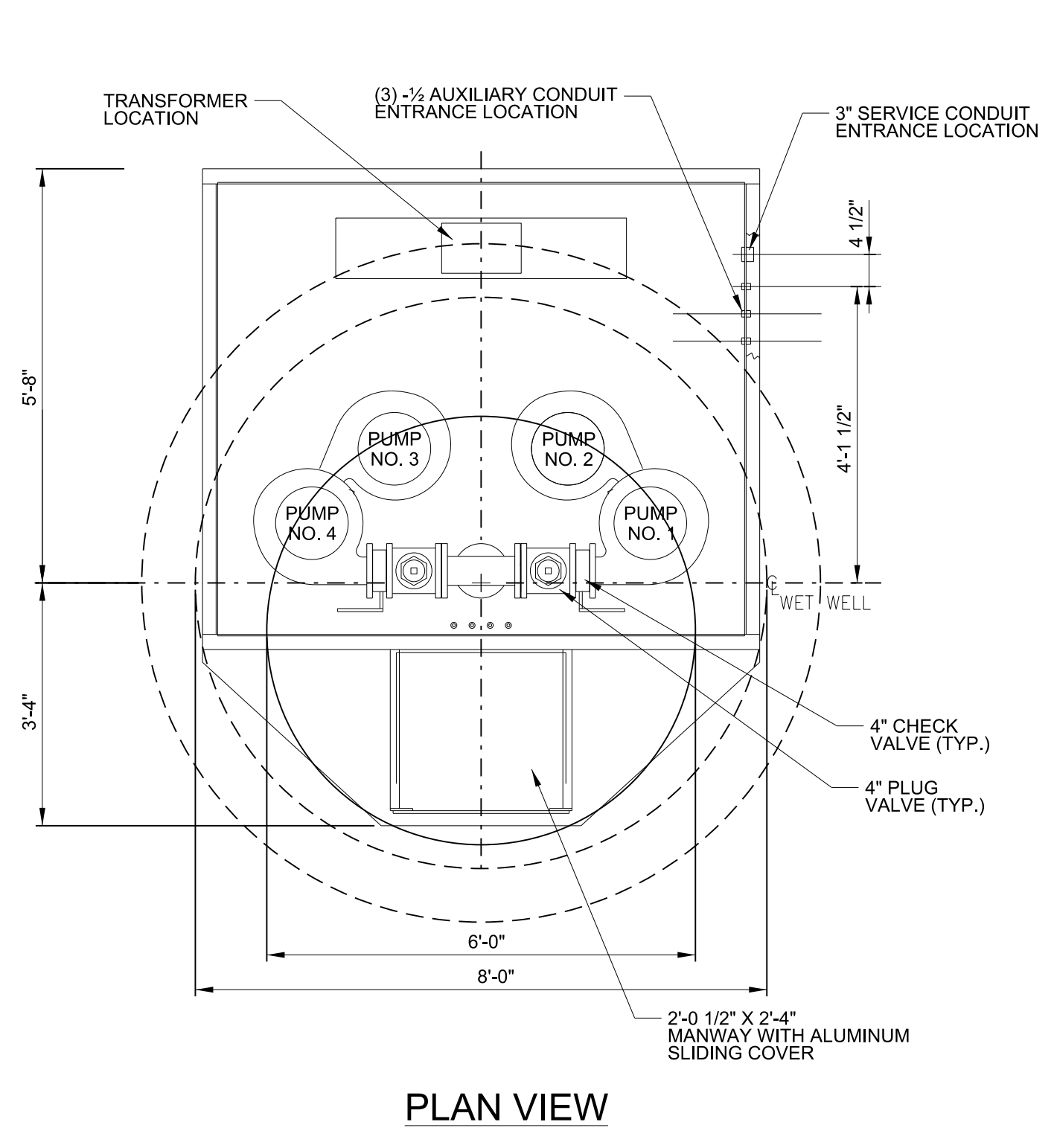
FILE NAME: P:\WORK\DAVID.ERICKSON\0682832\00500PL.DGN  
USER: david.erickson  
DATE PLOTTED: December 15, 2014  
E-SHEET NAME:  
MicroStation v8.11.7.443

SCALE: 1"=2'-0"

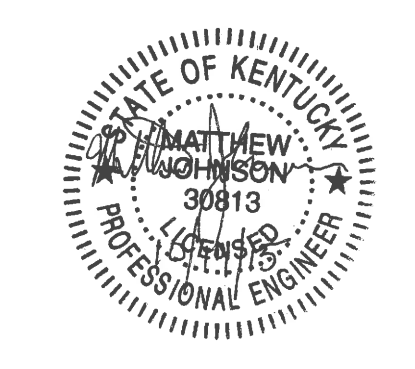
LIFT STATION DETAILS & SECTIONS



- NOTES:
1. RESTRAINED COUPLING SHALL BE DRESSER STYLE 138 OR ENGINEER APPROVED EQUAL.
  2. PUMPS, MOTORS, SUCTION PIPE AND ANCILLARY PUMP APPURTENCES SHALL BE PROVIDED AS A SKID PACKAGE AS MANUFACTURED BY SMITH AND LOVELESS.
  3. PROVIDE 60° SLOPE IN WET WELL.



FILE NAME: P:\WORK\DAVID.ERICKSON\0682832\00500PL.DGN  
 USER: david.erickson  
 DATE PLOTTED: December 15, 2014  
 E-SHEET NAME:  
 MicroStation v8.11.7.443



**PROPOSAL BID ITEMS**

REVISED ADDENDUM #2: 10-19-15

151263

Page 1 of 5

Report Date 10/19/15

**Section: 0001 - PAVING**

LINE	BID CODE	ALT	DESCRIPTION	QUANTITY	UNIT	UNIT PRIC	FP	AMOUNT
0010	00001		DGA BASE	41,735.00	TON		\$	
0020	00020		TRAFFIC BOUND BASE	558.00	TON		\$	
0030	00100		ASPHALT SEAL AGGREGATE	58.00	TON		\$	
0040	00103		ASPHALT SEAL COAT	7.00	TON		\$	
0050	00190		LEVELING & WEDGING PG64-22	2,000.00	TON		\$	
0060	00205		CL3 ASPH BASE 1.50D PG64-22	4,217.00	TON		\$	
0070	00214		CL3 ASPH BASE 1.00D PG64-22	17,738.00	TON		\$	
0080	00388		CL3 ASPH SURF 0.38B PG64-22	5,378.00	TON		\$	
0090	02084		JPC PAVEMENT-8 IN	159.00	SQYD		\$	
0100	02676		MOBILIZATION FOR MILL & TEXT	1.00	LS		\$	
0110	02677		ASPHALT PAVE MILLING & TEXTURING	1,000.00	TON		\$	

**Section: 0002 - ROADWAY**

LINE	BID CODE	ALT	DESCRIPTION	QUANTITY	UNIT	UNIT PRIC	FP	AMOUNT
0120	00078		CRUSHED AGGREGATE SIZE NO 2	21,160.00	TON		\$	
0130	01984		DELINEATOR FOR BARRIER - WHITE	8.00	EACH		\$	
0140	01985		DELINEATOR FOR BARRIER - YELLOW	8.00	EACH		\$	
0150	01987		DELINEATOR FOR GUARDRAIL BI DIRECTIONAL WHITE	65.00	EACH		\$	
0160	01992		INSTALL TEMP CONC MED BARR	150.00	LF		\$	
0170	02014		BARRICADE-TYPE III	6.00	EACH		\$	
0180	02091		REMOVE PAVEMENT	522.00	SQYD		\$	
0190	02159		TEMP DITCH	4,750.00	LF		\$	
0200	02160		CLEAN TEMP DITCH	2,375.00	LF		\$	
0210	02223		GRANULAR EMBANKMENT	100.00	CUYD		\$	
0220	02230		EMBANKMENT IN PLACE	62,287.00	CUYD		\$	
0230	02242		WATER	100.00	MGAL		\$	
0231	02259		FENCE-TEMP (ADDED: 10-19-15)	1,869.00	LF		\$	
0232	02274		FENCE-6 FT CHAIN LINK (ADDED: 10-19-15)	1,869.00	LF		\$	
0240	02351		GUARDRAIL-STEEL W BEAM-S FACE	3,725.00	LF		\$	
0250	02360		GUARDRAIL TERMINAL SECTION NO 1	11.00	EACH		\$	
0260	02371		GUARDRAIL END TREATMENT TYPE 7	5.00	EACH		\$	
0270	02391		GUARDRAIL END TREATMENT TYPE 4A	11.00	EACH		\$	
0280	02397		TEMP GUARDRAIL	1,225.00	LF		\$	
0290	02429		RIGHT-OF-WAY MONUMENT TYPE 1	49.00	EACH		\$	
0300	02432		WITNESS POST	19.00	EACH		\$	
0310	02469		CLEAN SINKHOLE	3.00	EACH		\$	
0320	02483		CHANNEL LINING CLASS II	311.00	TON		\$	
0330	02545		CLEARING AND GRUBBING (APPROXIMATELY 25.37 ACRES)	1.00	LS		\$	
0340	02555		CONCRETE-CLASS B	10.00	CUYD		\$	
0350	02562		TEMPORARY SIGNS	1,000.00	SQFT		\$	
0360	02585		EDGE KEY	100.00	LF		\$	
0370	02599		FABRIC-GEOTEXTILE TYPE IV	62,300.00	SQYD		\$	



**PROPOSAL BID ITEMS**

REVISED ADDENDUM #2: 10-19-15

151263

Page 2 of 5

Report Date 10/19/15

LINE	BID CODE	ALT	DESCRIPTION	QUANTITY	UNIT	UNIT PRIC	FP	AMOUNT
0380	02625		REMOVE HEADWALL	4.00	EACH		\$	
0390	02650		MAINTAIN & CONTROL TRAFFIC	1.00	LS		\$	
0400	02651		DIVERSIONS (BY-PASS DETOURS)	1.00	LS		\$	
0410	02671		PORTABLE CHANGEABLE MESSAGE SIGN	2.00	EACH		\$	
0420	02690		SAFELADING	78.80	CUYD		\$	
0430	02696		SHOULDER RUMBLE STRIPS-SAWED	19,000.00	LF		\$	
0440	02701		TEMP SILT FENCE	2,375.00	LF		\$	
0450	02703		SILT TRAP TYPE A	26.00	EACH		\$	
0460	02704		SILT TRAP TYPE B	26.00	EACH		\$	
0470	02705		SILT TRAP TYPE C	26.00	EACH		\$	
0480	02706		CLEAN SILT TRAP TYPE A	26.00	EACH		\$	
0490	02707		CLEAN SILT TRAP TYPE B	26.00	EACH		\$	
0500	02708		CLEAN SILT TRAP TYPE C	26.00	EACH		\$	
0510	02726		STAKING	1.00	LS		\$	
0520	02731		REMOVE STRUCTURE	1.00	LS		\$	
0530	03171		CONCRETE BARRIER WALL TYPE 9T	150.00	LF		\$	
0540	05950		EROSION CONTROL BLANKET	32,387.00	SQYD		\$	
0550	05952		TEMP MULCH	122,787.00	SQYD		\$	
0560	05963		INITIAL FERTILIZER	6.90	TON		\$	
0570	05964		20-10-10 FERTILIZER	3.50	TON		\$	
0580	05985		SEEDING AND PROTECTION	61,000.00	SQYD		\$	
0590	05992		AGRICULTURAL LIMESTONE	41.00	TON		\$	
0600	06510		PAVE STRIPING-TEMP PAINT-4 IN	46,472.00	LF		\$	
0610	06514		PAVE STRIPING-PERM PAINT-4 IN	46,472.00	LF		\$	
0620	06568		PAVE MARKING-THERMO STOP BAR-24IN	36.00	LF		\$	
0630	06572		PAVE MARKING-DOTTED LANE EXTEN	48.00	LF		\$	
0640	06574		PAVE MARKING-THERMO CURV ARROW	50.00	EACH		\$	
0650	06588		PAVEMENT MARKER TY IVA-BY TEMP	70.00	EACH		\$	
0660	06589		PAVEMENT MARKER TYPE V-MW	8.00	EACH		\$	
0670	06591		PAVEMENT MARKER TYPE V-BY	464.00	EACH		\$	
0680	06600		REMOVE PAVEMENT MARKER TYPE V	300.00	EACH		\$	
0690	08150		STEEL REINFORCEMENT	50.00	LB		\$	
0700	10020NS		FUEL ADJUSTMENT	75,828.00	DOLL	\$1.00	\$	\$75,828.00
0710	10030NS		ASPHALT ADJUSTMENT	115,192.00	DOLL	\$1.00	\$	\$115,192.00
0720	20738NS112		TEMP CRASH CUSHION	2.00	EACH		\$	
0721	21655EN		REMOVE ASBESTOS PIPE (ADDED: 10-12-15)	950.00	LF		\$	
0730	23139EN		STRIPING REMOVAL	46,472.00	LF		\$	
0740	23274EN11F		TURF REINFORCEMENT MAT 1	1,691.00	SQYD		\$	
0750	24540		R/W MONUMENT TYPE 3	5.00	EACH		\$	

**Section: 0003 - DRAINAGE**

LINE	BID CODE	ALT	DESCRIPTION	QUANTITY	UNIT	UNIT PRIC	FP	AMOUNT
0770	00440		ENTRANCE PIPE-15 IN	768.00	LF		\$	
0780	00441		ENTRANCE PIPE-18 IN	816.50	LF		\$	
0790	00443		ENTRANCE PIPE-24 IN	431.00	LF		\$	
0800	00462		CULVERT PIPE-18 IN	58.00	LF		\$	
0810	00464		CULVERT PIPE-24 IN	7.00	LF		\$	

**PROPOSAL BID ITEMS**

151263

Report Date 10/19/15

LINE	BID CODE	ALT	DESCRIPTION	QUANTITY	UNIT	UNIT PRIC	FP	AMOUNT
0820	00466		CULVERT PIPE-30 IN	130.00	LF		\$	
0830	00468		CULVERT PIPE-36 IN	125.50	LF		\$	
0840	00471		CULVERT PIPE-54 IN	42.00	LF		\$	
0850	01000		PERFORATED PIPE-4 IN	5,580.00	LF		\$	
0860	01020		PERF PIPE HEADWALL TY 1-4 IN	9.00	EACH		\$	
0870	01024		PERF PIPE HEADWALL TY 2-4 IN	2.00	EACH		\$	
0880	01028		PERF PIPE HEADWALL TY 3-4 IN	8.00	EACH		\$	
0890	01208		PIPE CULVERT HEADWALL-24 IN	2.00	EACH		\$	
0900	01210		PIPE CULVERT HEADWALL-30 IN	4.00	EACH		\$	
0910	01212		PIPE CULVERT HEADWALL-36 IN	7.00	EACH		\$	
0920	01310		REMOVE PIPE	53.00	LF		\$	
0930	01450		S & F BOX INLET-OUTLET-18 IN	2.00	EACH		\$	
0940	01451		S & F BOX INLET-OUTLET-24 IN	1.00	EACH		\$	
0950	01453		S & F BOX INLET-OUTLET-36 IN	1.00	EACH		\$	
0960	01644		JUNCTION BOX-30 IN	1.00	EACH		\$	
0970	02600		FABRIC GEOTEXTILE TY IV FOR PIPE	540.00	SQYD	\$2.00	\$	\$1,080.00
0980	03260		CLEAN ROADWAY DRAINS	4.00	EACH		\$	
0990	08100		CONCRETE-CLASS A	19.31	CUYD		\$	
1000	20597EC		DITCH EXCAVATION	29.10	CUYD		\$	
1010	21799EN		BORE AND JACK PIPE-24 IN	101.00	LF		\$	
1020	21800EN		BORE AND JACK PIPE-30 IN	216.20	LF		\$	
1030	23126EN		BORE AND JACK PIPE-18 IN	58.00	LF		\$	
1040	24026EC		PIPE CULVERT HEADWALL-54 IN	2.00	EACH		\$	
1050	24186EC		BORE AND JACK PIPE-36 IN	229.00	LF		\$	
1060	24814EC		PIPELINE INSPECTION	848.50	LF		\$	

**Section: 0004 - BRIDGE - CULVERT- SHARPS BRANCH - DWG. 27027**

LINE	BID CODE	ALT	DESCRIPTION	QUANTITY	UNIT	UNIT PRIC	FP	AMOUNT
1070	08002		STRUCTURE EXCAV-SOLID ROCK	13.00	CUYD		\$	
1080	08003		FOUNDATION PREPARATION	1.00	LS		\$	
1090	08100		CONCRETE-CLASS A	554.20	CUYD		\$	
1100	08150		STEEL REINFORCEMENT	85,135.00	LB		\$	

**Section: 0005 - SEWER**

LINE	BID CODE	ALT	DESCRIPTION	QUANTITY	UNIT	UNIT PRIC	FP	AMOUNT
1110	01052		SEWER PIPE-8 IN (GRAVITY, PVC)	17.00	LF		\$	
1120	01053		SEWER PIPE-10 IN (GRAVITY, PVC)	781.00	LF		\$	
1130	01063		STEEL ENCASEMENT PIPE-6 IN (OPEN CUT)	5.00	LF		\$	
1140	01080		STEEL ENCASEMENT PIPE-BORE&JACK-20 IN	205.00	LF		\$	
1150	03442		DUCTILE IRON FITTINGS	678.00	LB		\$	
1160	15594		S PUMP STATION INST (NEW WASTEWATER PUMP STATION INCLUDING ALL ITEMS)	1.00	EACH		\$	



**PROPOSAL BID ITEMS**

REVISED ADDENDUM #2: 10-19-15

151263

Page 4 of 5

Report Date 10/19/15

LINE	BID CODE	ALT	DESCRIPTION	QUANTITY	UNIT	UNIT PRIC	FP	AMOUNT
1170	20371EC		CUT AND CAP SANITARY SEWER	10.00	EACH		\$	
1180	20423EC		WATERTIGHT FRAME AND LID	2.00	EACH		\$	
1190	20424EC		CONNECT TO EXIST MANHOLE (GRAVITY PIPE)	4.00	EACH		\$	
1200	21191ND		ABANDON WASTEWATER PUMP STATION	1.00	EACH		\$	
1210	21354ND		CUT CAP AND BLOCK FORCE MAIN (6-IN)	6.00	EACH		\$	
1220	21788ED		OPEN CUT W/ STEEL ENCASEMENT (20 INCH)	85.00	LF		\$	
1230	21918NN		MANHOLE-4 FT (0-6-FT)	7.00	EACH		\$	
1240	21921EN		MANHOLE-4 FT BARREL EXTENSION (VERTICAL FEET ABOVE 6-FT DEPTH)	39.00	VTFT		\$	
1250	22783NN		CONNECT TO FORCE MAIN-6 IN	4.00	EACH		\$	
1260	22801NN		ABANDON AND SAFELOAD MANHOLE (EXISTING)	6.00	EACH		\$	
1270	22871NN		CONNECT TO 2 IN (FORCE MAIN)	1.00	EACH		\$	
1280	23013EN		SANITARY SEWER FORCE MAIN (PVC 6 INCH)	724.00	LF		\$	
1290	23013EN		SANITARY SEWER FORCE MAIN (PVC 2 INCH)	77.00	LF		\$	
1300	23669EC		GRAVITY SEWER CREEK CROSSING	40.00	LF		\$	
1310	23716EC		CONNECT TO NEW MANHOLE (FORCE MAIN)	2.00	EACH		\$	
1320	23924EC		RECONNECT LATERAL TO MANHOLE	1.00	EACH		\$	
1330	24411EC		CONST NEW MANHOLE OVER EXIST SEWER (VERTICAL FEET ABOVE 6-FT DEPTH)	17.00	EACH		\$	
1340	24411EC		CONST NEW MANHOLE OVER EXIST SEWER (4 FT. DIA, 0 TO 6 FT)	5.00	EACH		\$	

**Section: 0006 - SIGNING**

LINE	BID CODE	ALT	DESCRIPTION	QUANTITY	UNIT	UNIT PRIC	FP	AMOUNT
1350	04903		REFERENCE MARKER	4.00	EACH		\$	
1360	06406		SBM ALUM SHEET SIGNS .080 IN	48.00	SQFT		\$	
1370	06407		SBM ALUM SHEET SIGNS .125 IN	59.00	SQFT		\$	
1380	06410		STEEL POST TYPE 1	258.00	LF		\$	
1390	24631EC		BARCODE SIGN INVENTORY	18.00	EACH		\$	

**Section: 0007 - WATERLINE - RELOCATION**

LINE	BID CODE	ALT	DESCRIPTION	QUANTITY	UNIT	UNIT PRIC	FP	AMOUNT
1400	14003		W CAP EXISTING MAIN	1.00	EACH		\$	
1410	14081		W SERVICE RELOCATE (CUSTOMER SERVICE LINE)	1.00	EACH		\$	
1420	14085		W SERV PE/PLST SHORT SIDE 3/4 IN (PE SERVICE LINE)	1.00	EACH		\$	
1430	14090		W TAPPING SLEEVE AND VALVE SIZE 2 (10-IN X 10-IN ON PVC)	1.00	EACH		\$	

**PROPOSAL BID ITEMS**

REVISED ADDENDUM #2: 10-19-15

151263

Page 5 of 5

Report Date 10/19/15

LINE	BID CODE	ALT	DESCRIPTION	QUANTITY	UNIT	UNIT PRIC	FP	AMOUNT
1440	14096		W TIE-IN 10 INCH (CONNECT TO EXISITING PVC WATERLINE)	1.00	EACH		\$	
1450	14131		W METER SPECIAL (5/8-IN)	1.00	EACH		\$	
1460	14548		W PIPE PVC 10 INCH INST (CLASS 200)	740.00	LF		\$	

**Section: 0008 - DEMOBILIZATION &/OR MOBILIZATION**

LINE	BID CODE	ALT	DESCRIPTION	QUANTITY	UNIT	UNIT PRIC	FP	AMOUNT
1470	02568		MOBILIZATION	1.00	LS		\$	
1480	02569		DEMOBILIZATION	1.00	LS		\$	